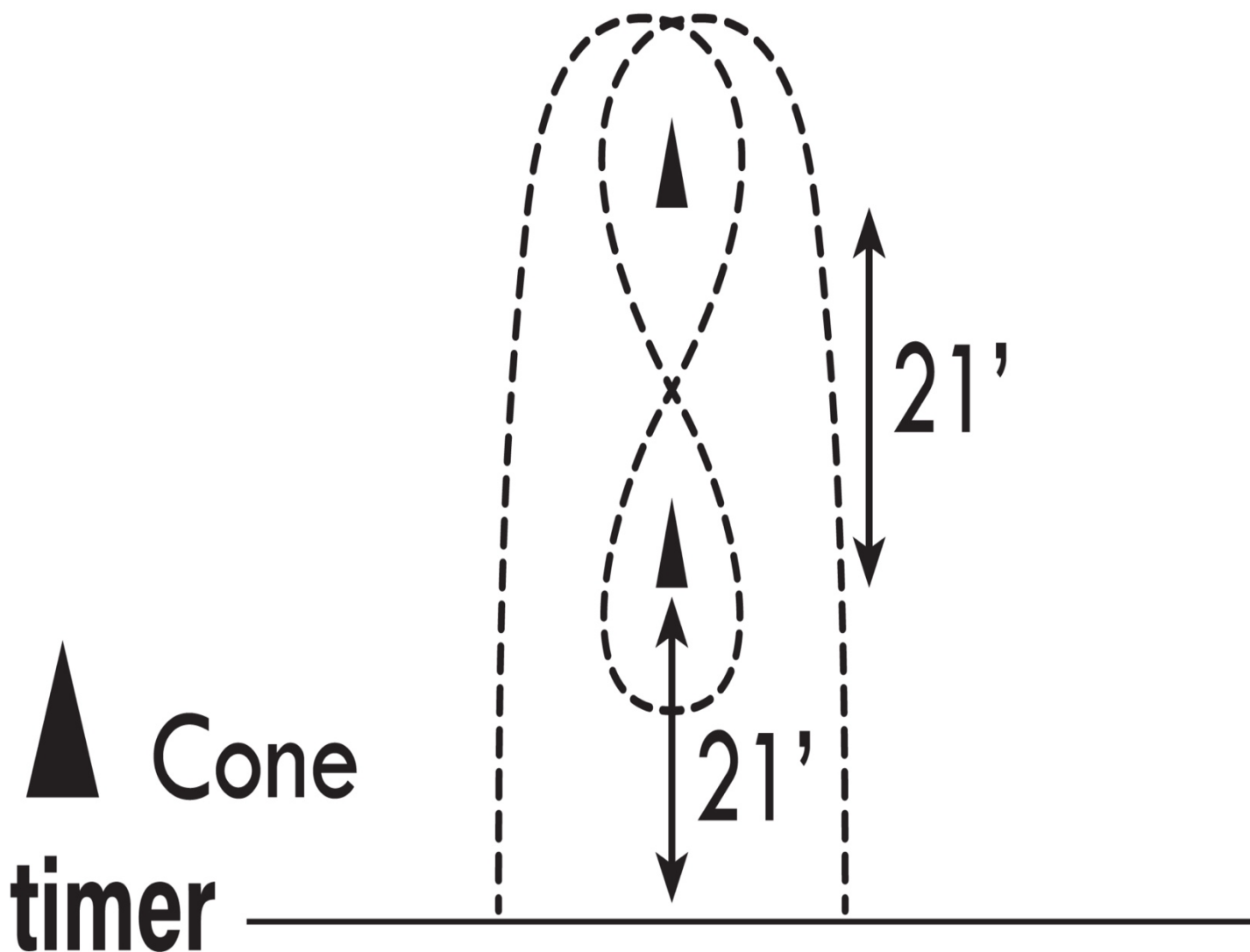




Canton Trail Riders

Figure 8 Ride Pattern



- Race may either be a right or left pattern.
- Knocking over any cone will result in a 5 second penalty per cone.
- Run will be disqualified if the pattern is broken.
- Run will be disqualified if the rider fails to complete the race.